



Very Well Connected™

# INSTALLATION INSTRUCTIONS

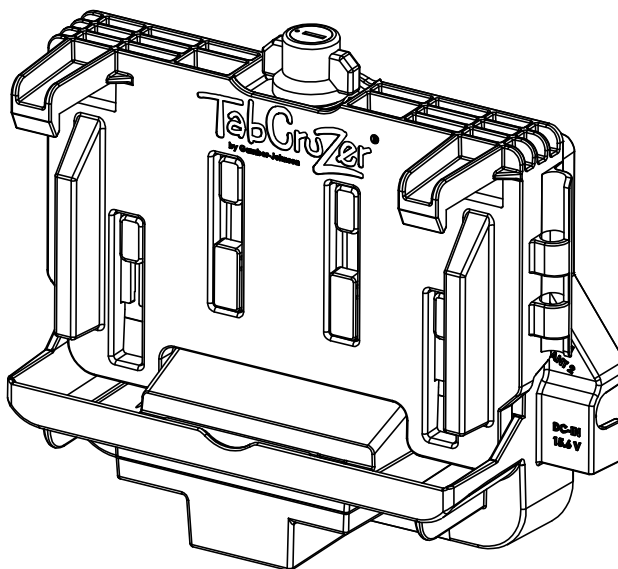
<b><u>Product</u></b> <b>7160-0543-XX</b> <b>FZ-M1 CRADLE</b>	<b><u>Revision</u></b> Rev. B	<b><u>Form</u></b> INST-643 <b>Printing Spec: PS-004</b>
---	----------------------------------	--

This instruction sheet is for the FZ-M1 cradle only. For instructions on features, set-up, and operation of the FZ-M1 computer, please refer to the manual provided by Panasonic with the computer.

This cradle is designed to be used with a variety of Gamber-Johnson mounting systems. Installation instructions for other Gamber-Johnson products are provided with each individual product.

This instruction sheet is for the following products:

**Item No. 7160-0543-00(-E)** Cradle, No RF



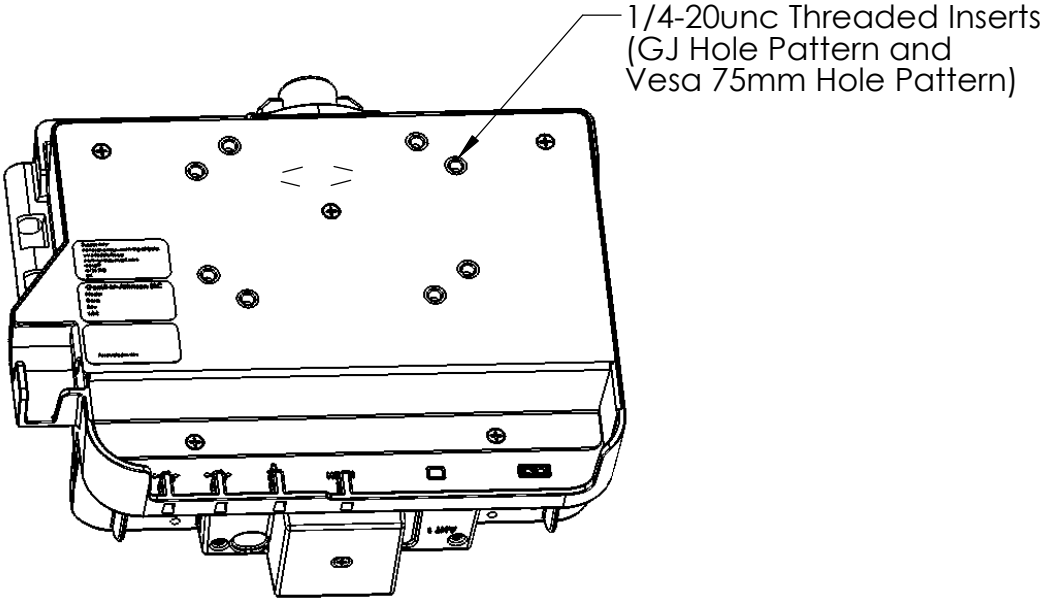
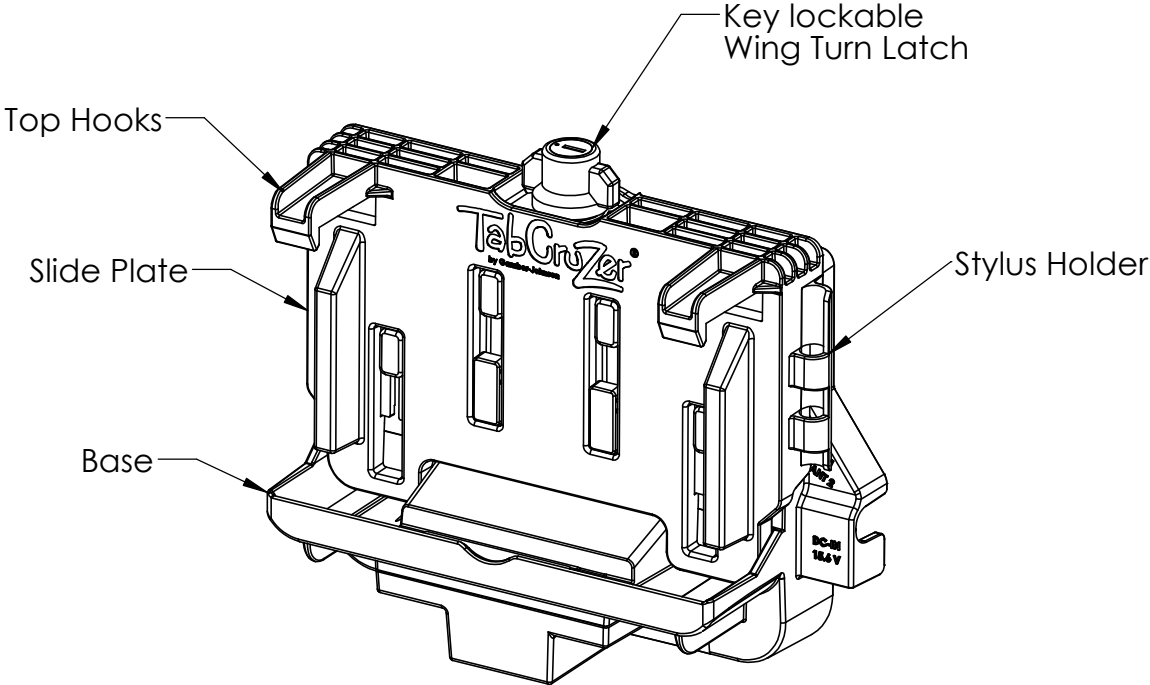
**Product Mounting Disclaimer**

Gamber-Johnson is not liable under any theory of contract or tort law for any loss, damage, personal injury, special, incidental or consequential damages for personal injury or other damage of any nature arising directly or indirectly as a result of the improper installation or use of its products in vehicle or any other application. In order to safely install and use Gamber-Johnson products full consideration of vehicle occupants, vehicle systems (i.e., the location of fuel lines, brakes lines, electrical, drive train or other systems), air-bags and other safety equipment is required. Gamber-Johnson specifically disclaims any responsibility for the improper use or installation of its products not consistent with the original vehicle manufactures specifications and recommendations, Gamber-Johnson product instruction sheets, or workmanship standards as endorsed through the Gamber-Johnson Certified Installer Program.

© Copyright 2016 Gamber-Johnson, LLC

If you need assistance or have questions, call Gamber-Johnson at 1-800-456-6868

# FZ-M1 CRADLE FEATURE IDENTIFICATION



# INSERTING THE COMPUTER INTO THE CRADLE

**Figure 1**

1. With the slide plate in the open position, insert the bottom of the computer into the cradle.

Then rotate the top of the computer under the top hooks until the computer is resting on the two vertical walls sticking out from the slide plate. (see Figures 1, 2 & 3)

Vertical Walls



3. Push downward on the wing turn latch until the slide plate is holding the computer in place, then turn the latch to hold the slide plate in the downward position. (See Figure 4)

4. (Optional) The key lock can now be used for security purposes.

**Figure 2**



**Figure 3**



## **TO REMOVE THE COMPUTER**

1. Unlock if locked.

3. Rotate the wing turn latch 90 deg. The slide plate is spring loaded and should raise with your hand when you release the pressure on the slide plate.

4. Rotate the top of the computer out of the dock to remove.

**Figure 4**

